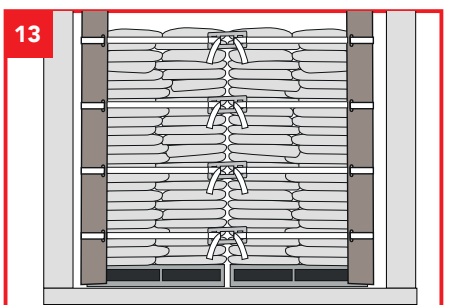
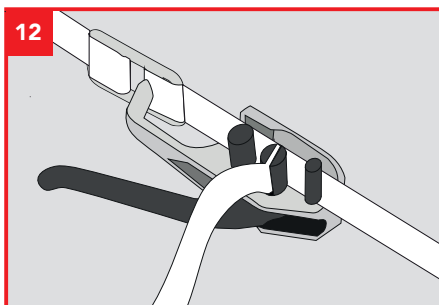
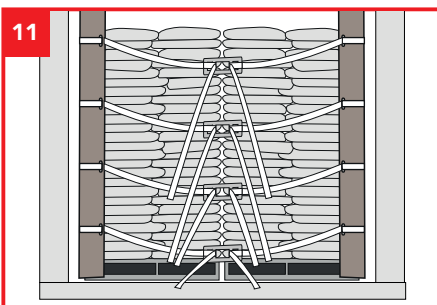
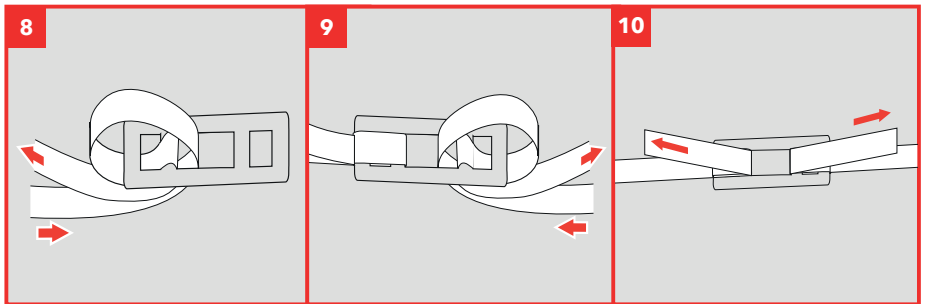
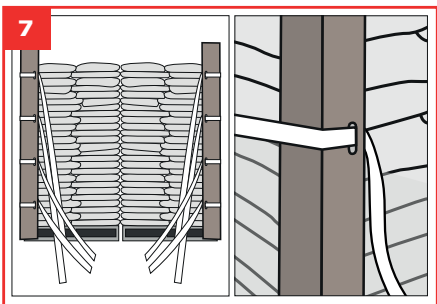
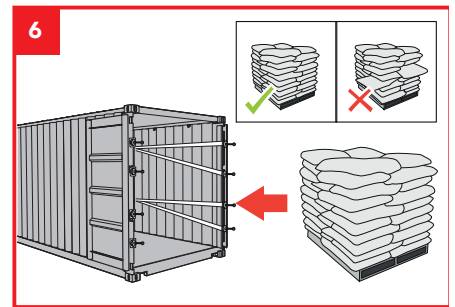
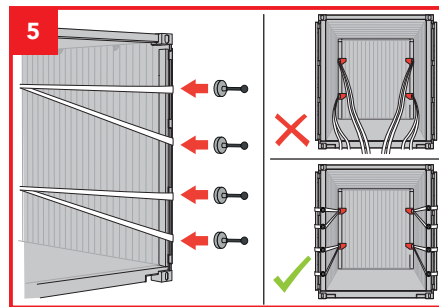
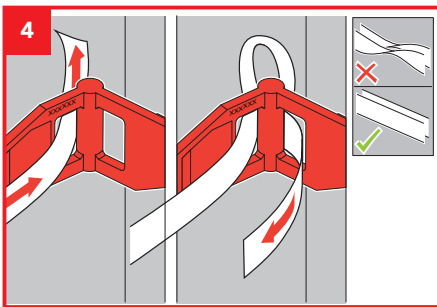
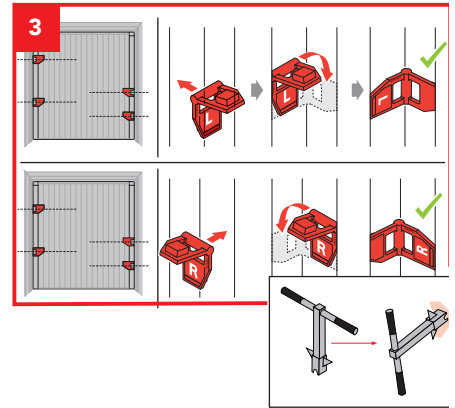
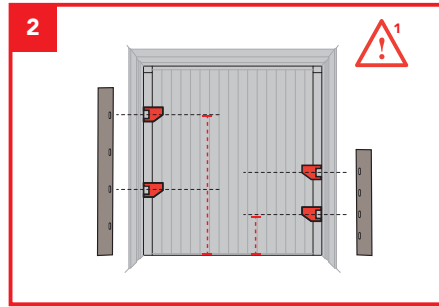
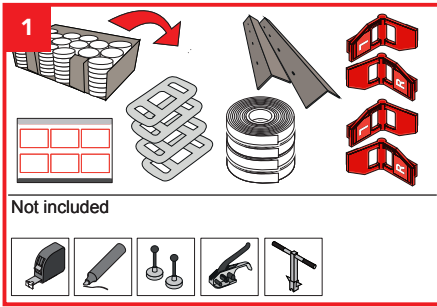


Cordstrap CornerLash® - Soft Packaging 20ft



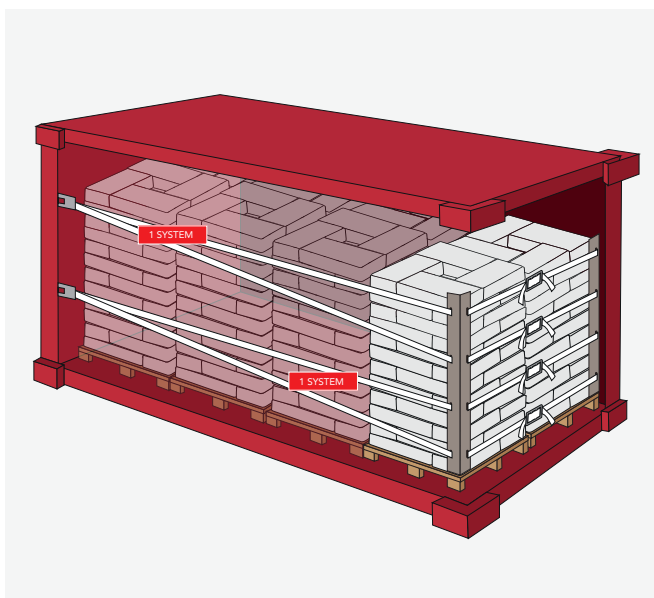
Do not apply the Corner Element below the recommended height. Wrong application of the Corner Element may lead to reduced system performance or solution failure

Keeping the world's cargo safe

cordstrap

This container is secured with Cordstrap CornerLash[®]

Specifically designed to secure cargo up to 30.000 kg / 66,000 lbs in containers



Cargo Details

Weight:

No. Systems applied:

CornerLash[®]

System Breaking strength	6.000 daN / 13,200 lbf
System MSL	4.500 daN / 9,900 lbf

Conform CTU Code
EN 12195-1:2010

