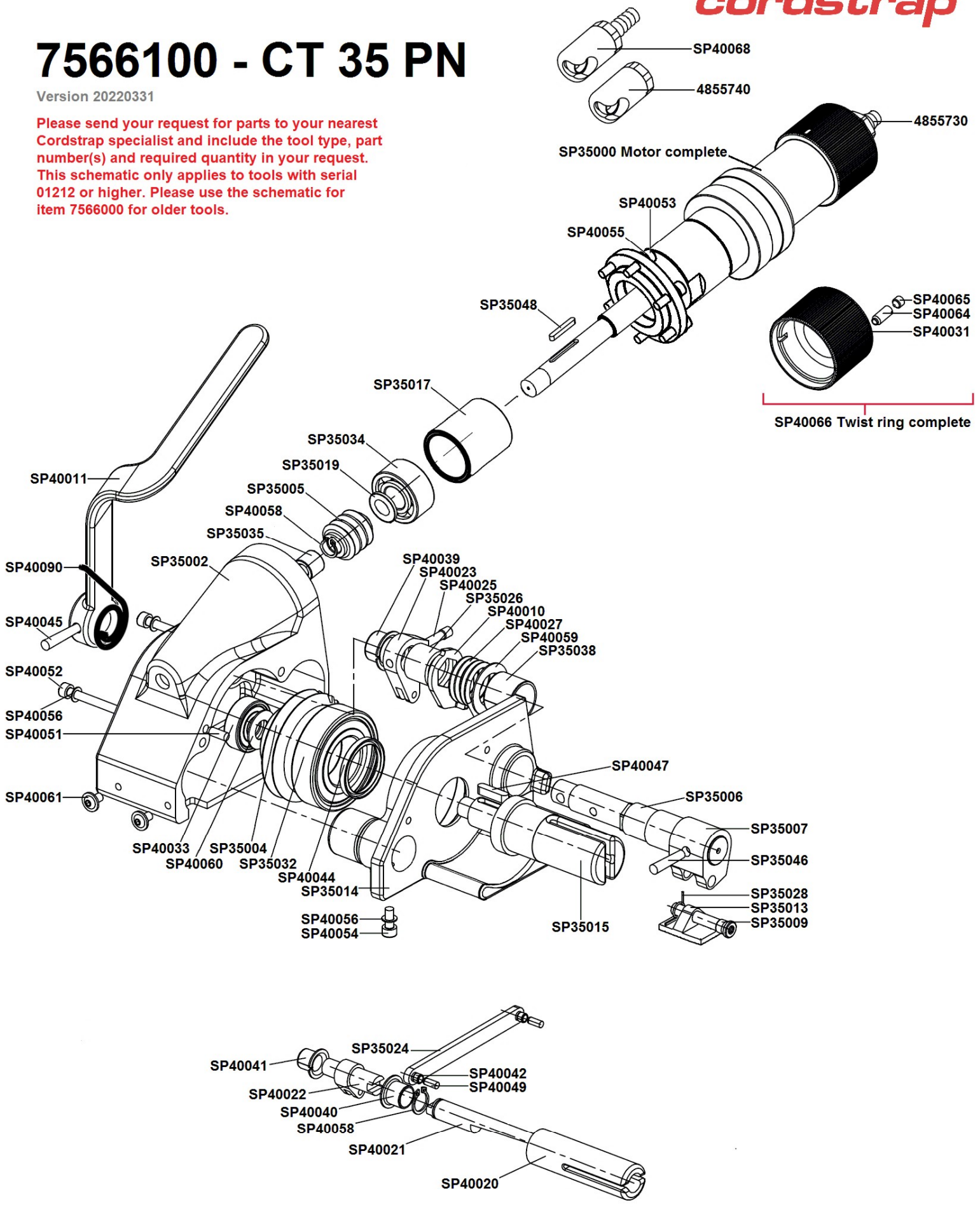


7566100 - CT 35 PN

Version 20220331

Please send your request for parts to your nearest Cordstrap specialist and include the tool type, part number(s) and required quantity in your request. This schematic only applies to tools with serial 01212 or higher. Please use the schematic for item 7566000 for older tools.



- SP35067 Safety symbols - replacement set
- SP35068 Label "usage lever"
- SP40300 Balancer bracket
- SP60019 Flacon lubrication 250ml
- 7561200 Service unit - filter regulator/lubricator
- 3870020 User manual