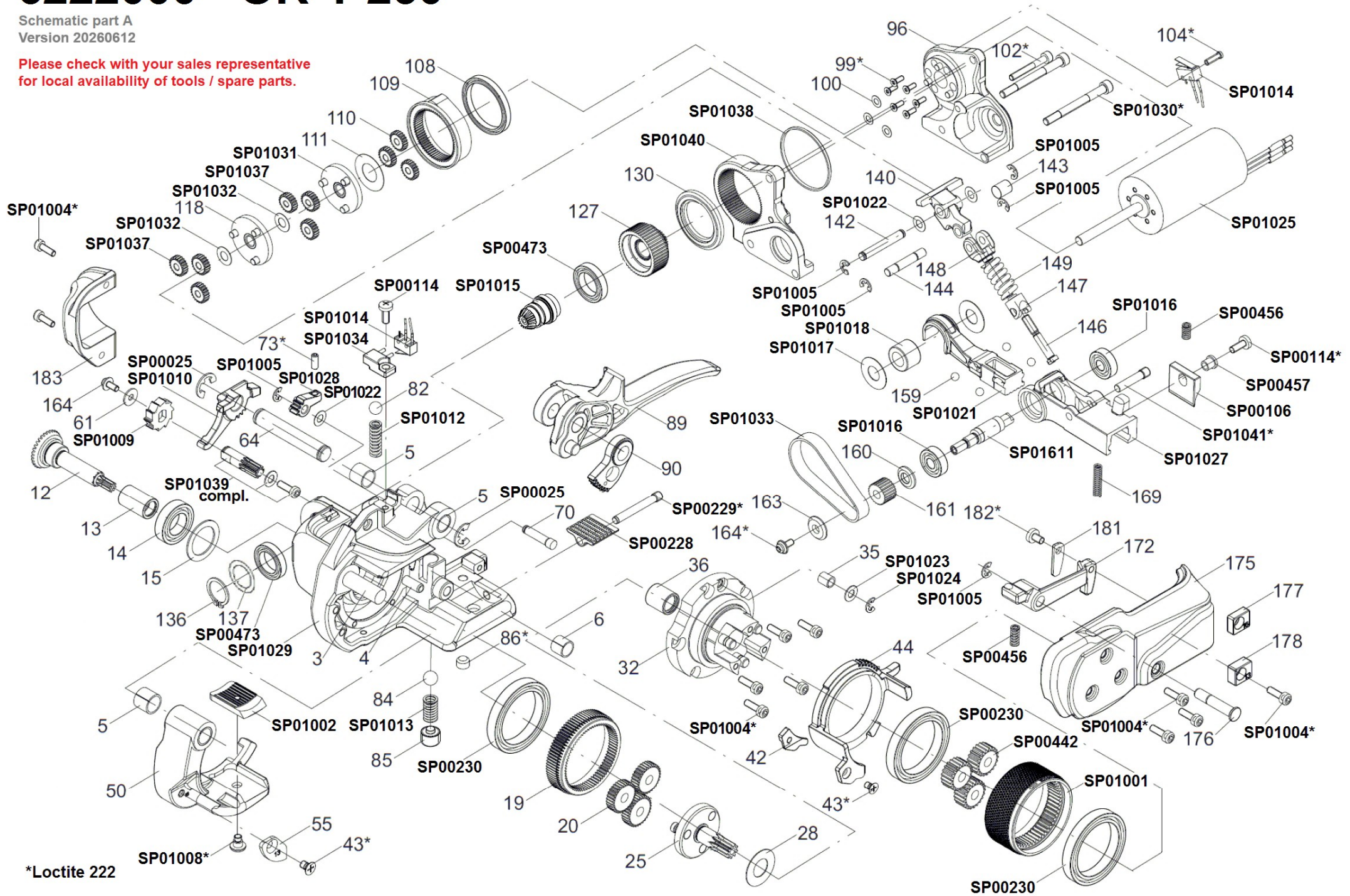


# 6222000 - OR-T 250

Schematic part A  
Version 20260612

Please check with your sales representative  
for local availability of tools / spare parts.

**cordstrap**



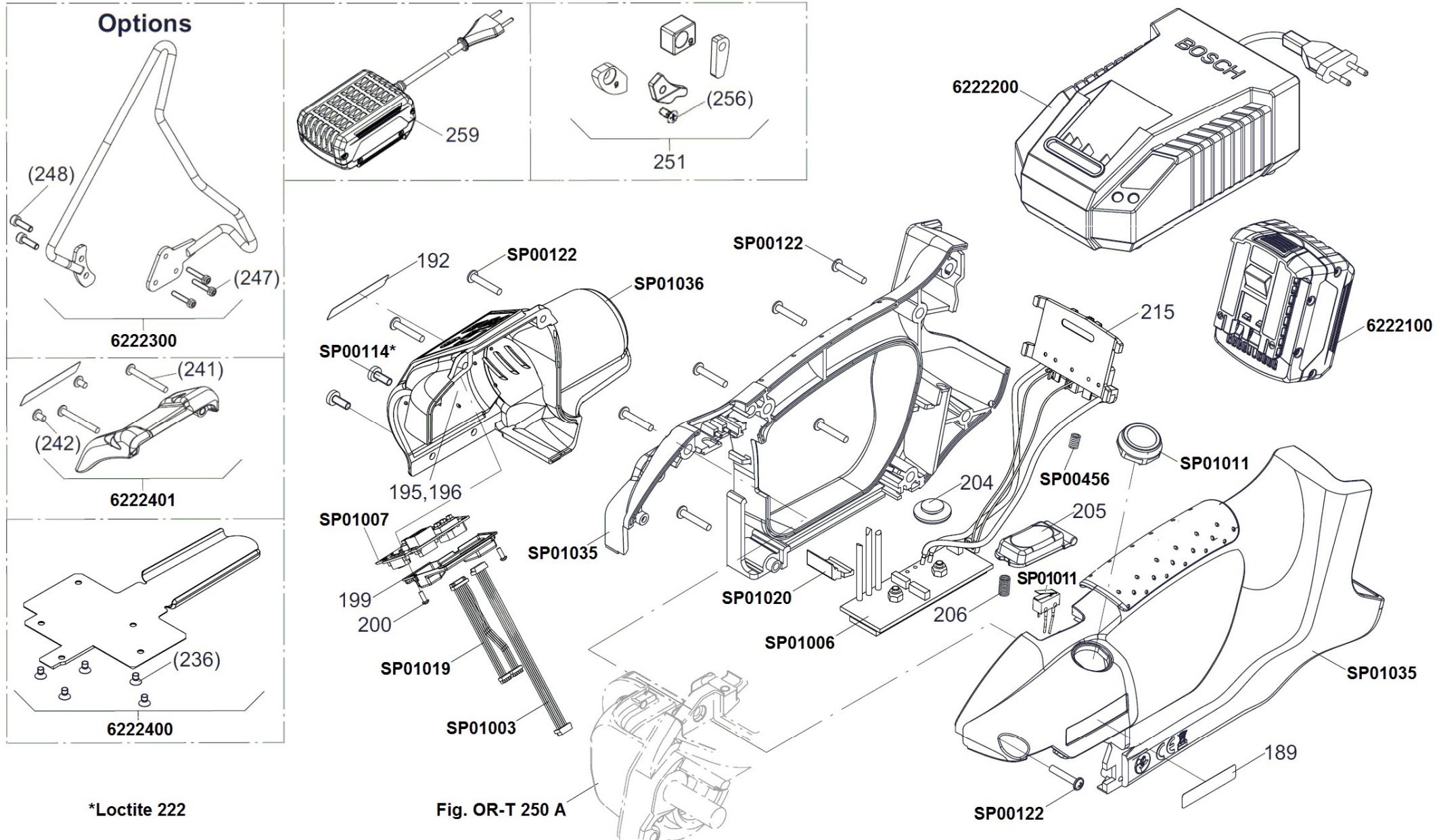
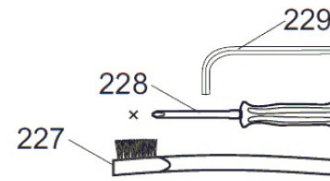
\*Loctite 222

# 6222000 - OR-T 250

Schematic part B  
Version 20260612

Please check with your sales representative  
for local availability of tools / spare parts.

**cordstrap**



\*Loctite 222

Fig. OR-T 250 A