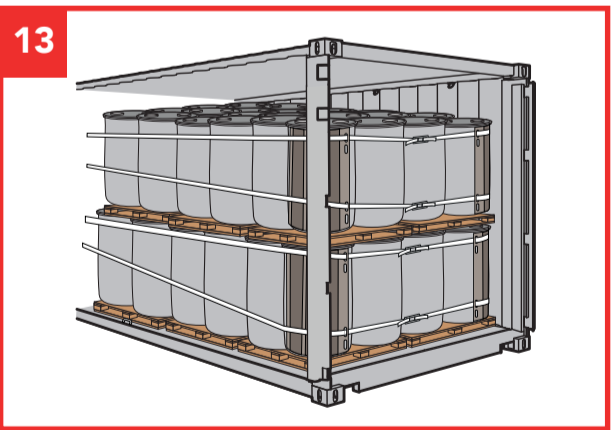
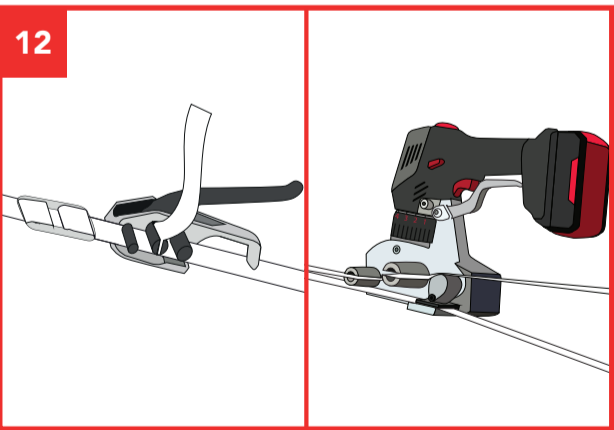
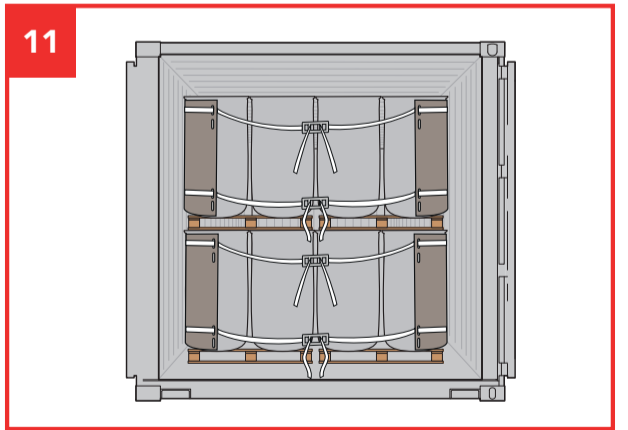
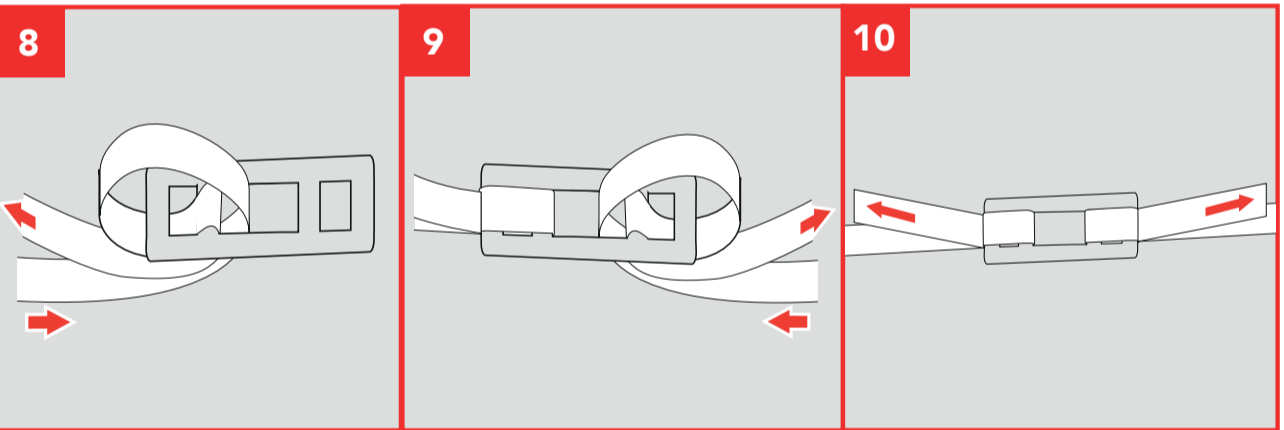
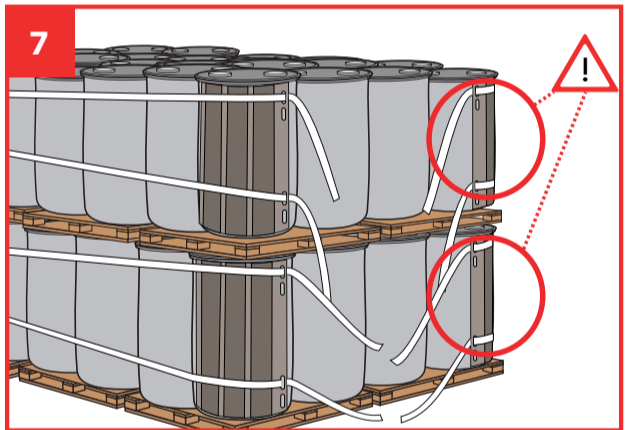
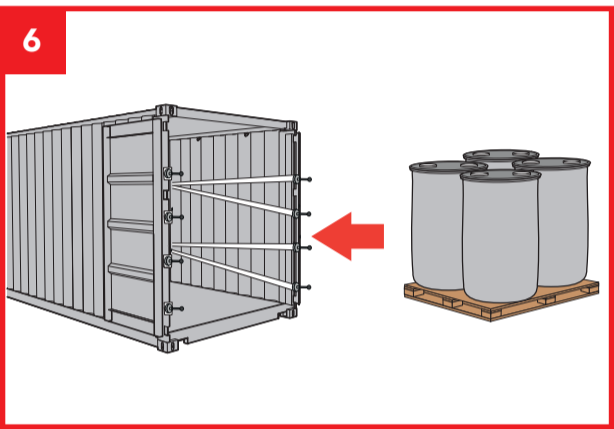
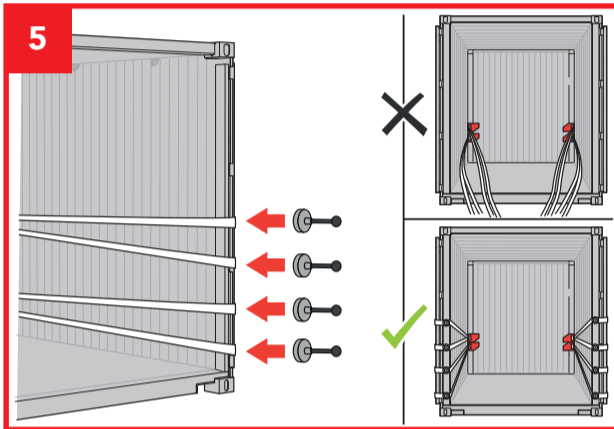
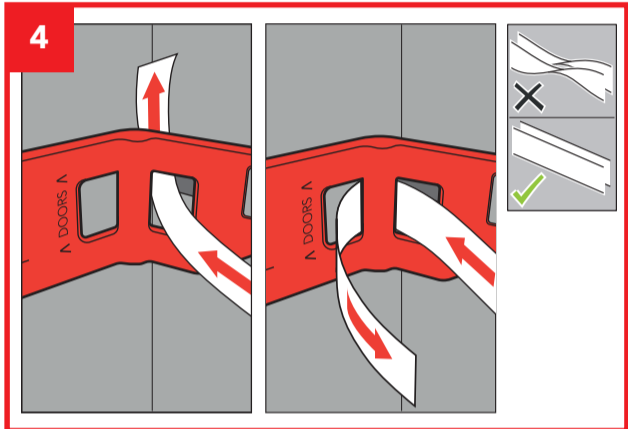
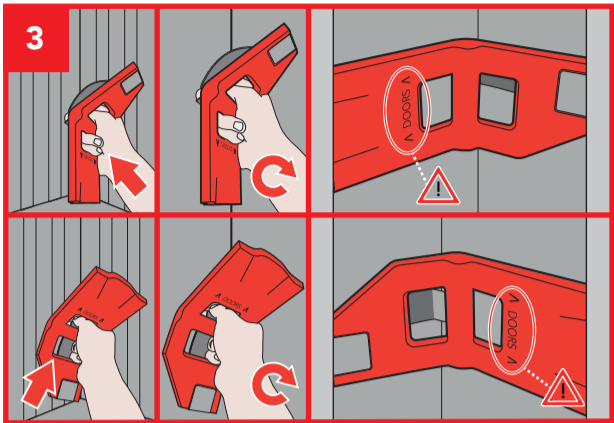
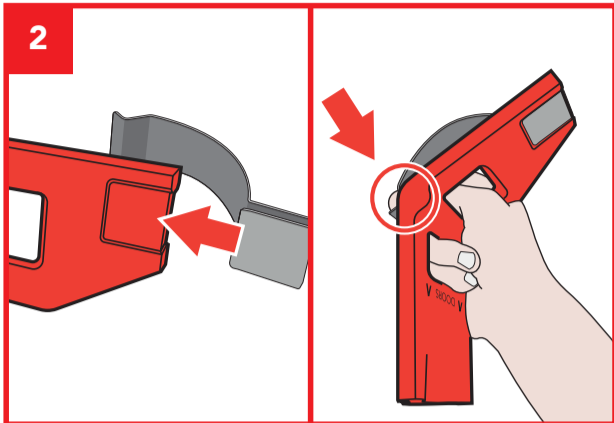
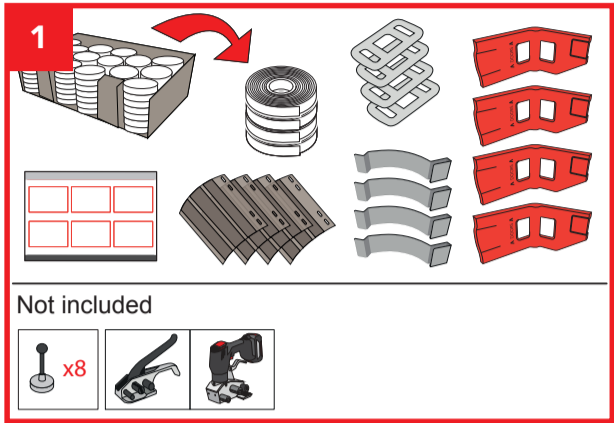


## Cordstrap CornerLash® 105.4 20FT – Plastic Drums Palletized



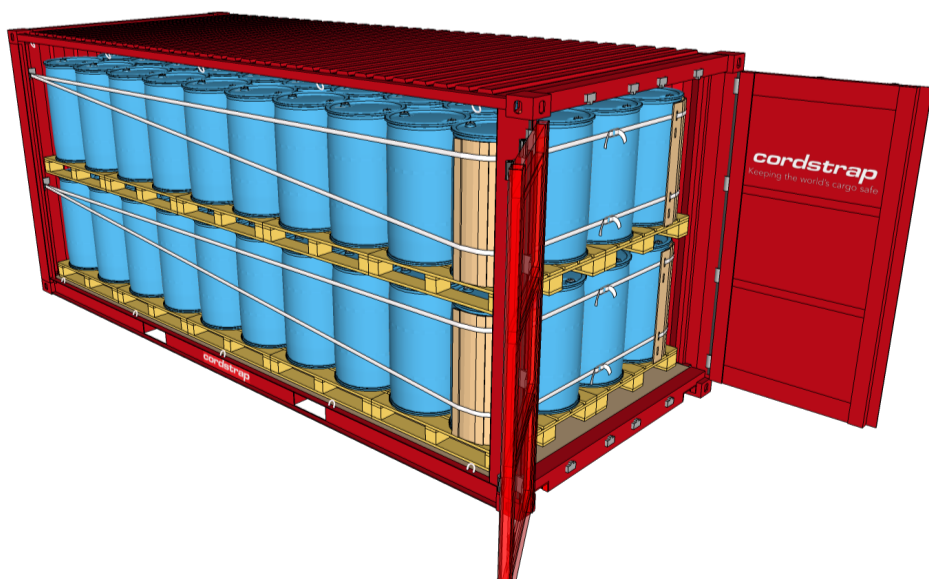
Keeping the world's cargo safe

# cordstrap

This container is secured with Cordstrap CornerLash®

## Cargo Details

Cargo Weight:



Transport mode	Max Cargo Weight*
<b>Road</b> doors to front	19.800 kg / 43,560 lb
<b>Road</b> doors to back	CONTAINER PAYLOAD
<b>Rail</b> no shunting	CONTAINER PAYLOAD
<b>Sea</b> unrestricted	27.600 kg / 60,720 lb

\*Calculations according CTU-code (2014), friction coefficient  $\mu = 0,45$   
average lashing angles.  
Certified by Maritem (Certificate CS2016002)

Conform CTU Code  
EN 12195-1:2010

